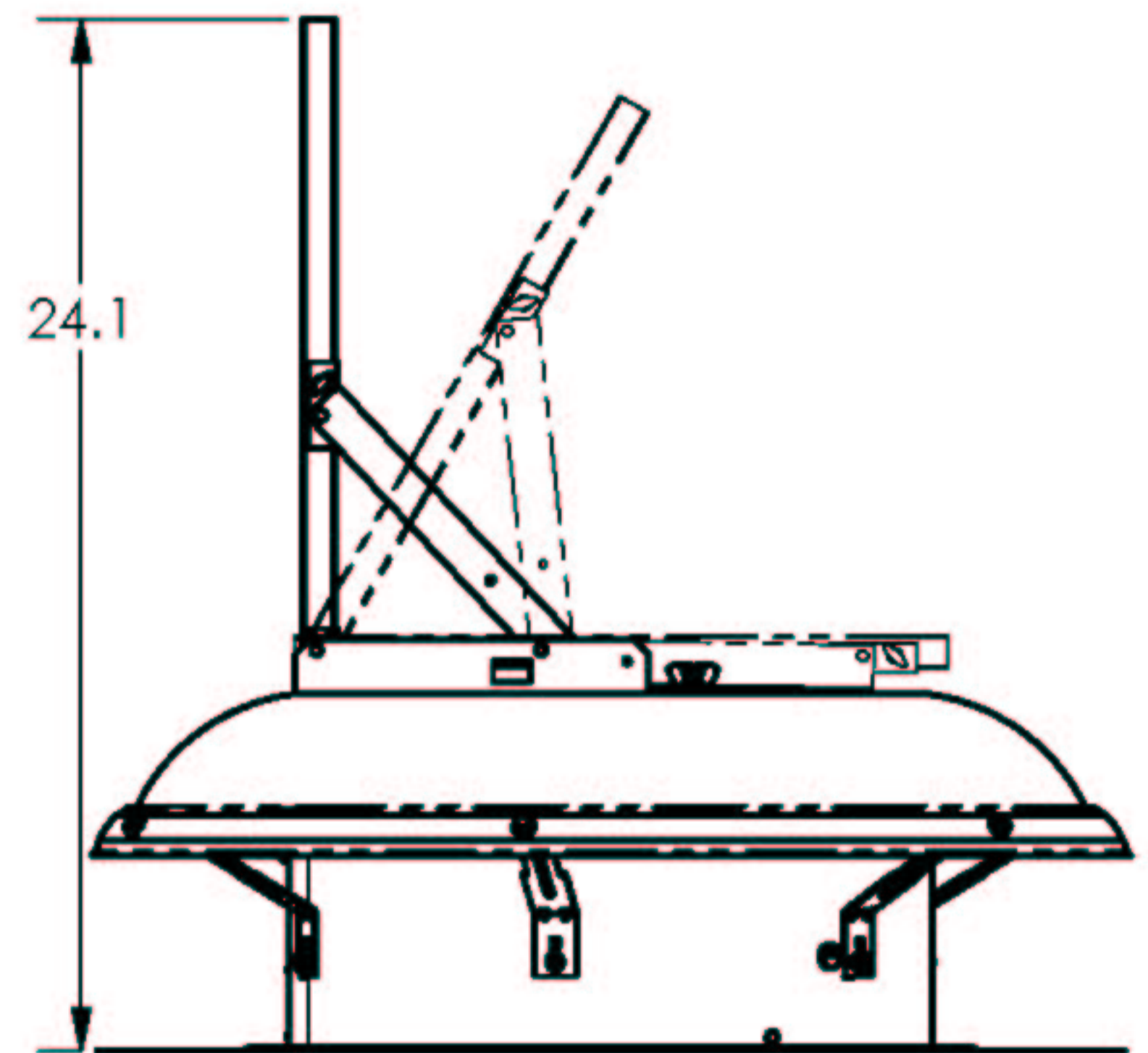


PANEL - FOLDED POSITION



PANEL - OPEN POSITION

NOTES:

ATTACH TO ROOF WITH (8) $\phi 1/8"$ ROOFING NAILS, 1-1/2" LONG MIN.

CUT $\phi 14-1/2"$ CIRCLE IN ROOF FOR VENTILATION

REQUIRES 2.7 SQ. FT. OF INTAKE VENTILATION

POSITION PANEL TO MAXIMIZE SOLAR COLLECTION.

AIR VENT INC.

DALLAS, TEXAS

DESCRIPTION:
SOLAR COOL 10W
WITH DOME MOUNTED ADJUSTABLE
PANEL BRACKET

MODEL NUMBER:
SC8BL

DIMENSIONS ARE IN INCHES
UNLESS OTHERWISE SPECIFIED
DO NOT SCALE DRAWING

PREP: J.FIGUEROA
DATE: 11-20-03

DRAWING NUMBER

C-97300