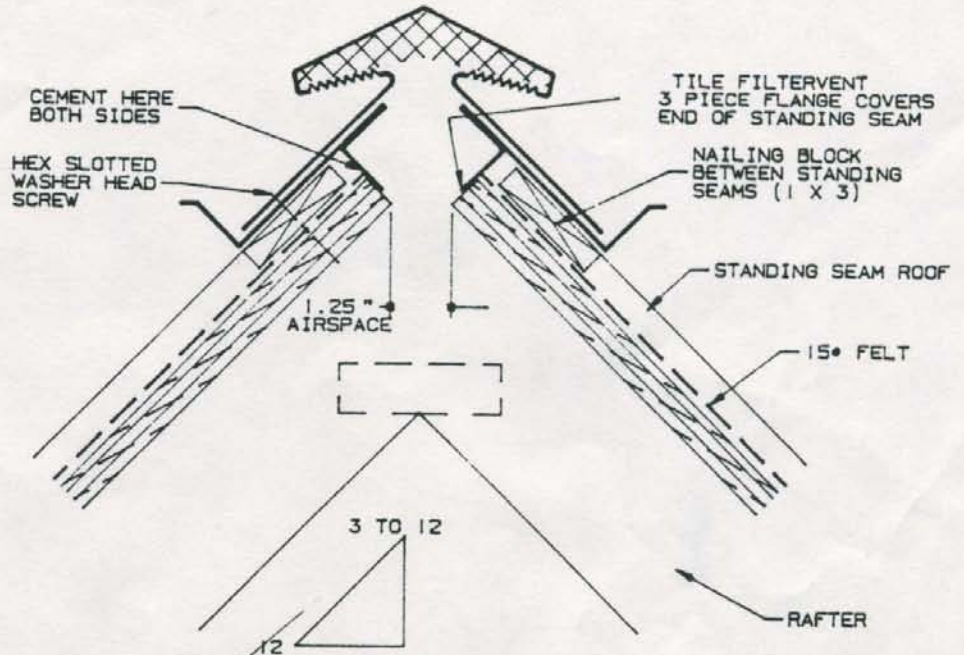
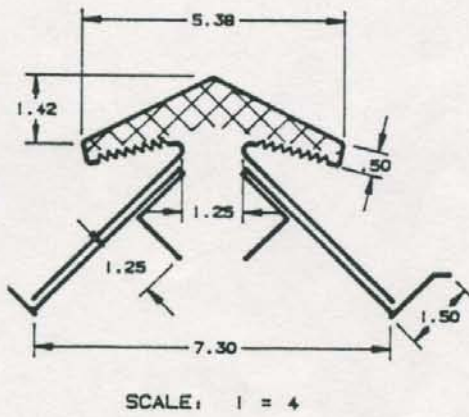
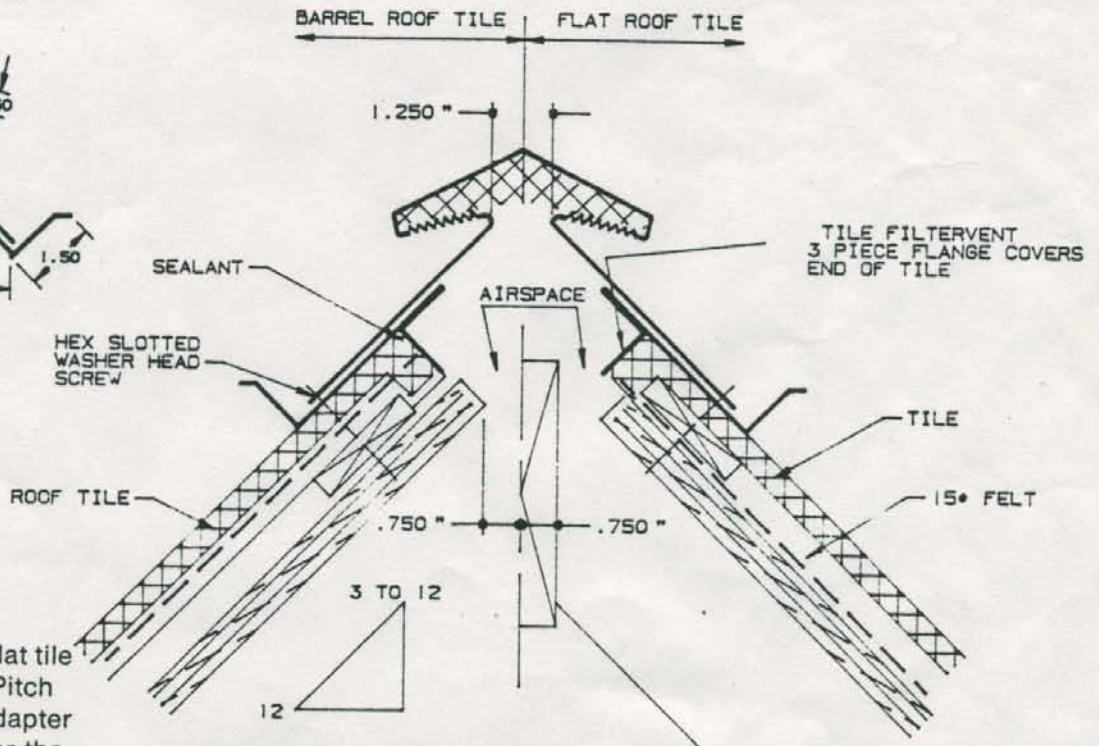
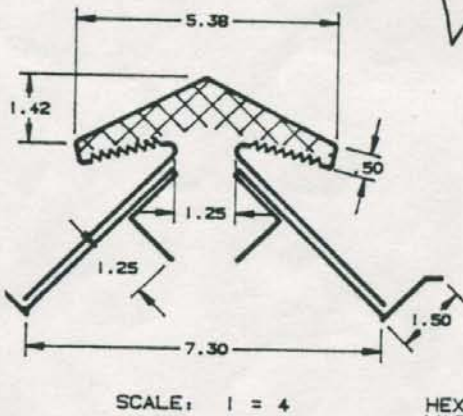


Tile Filtervent/Standing Seam Roof Construction Application

For standing seam roofs with a pitch over 3/12, Multi-Pitch Tile Filtervent with separate adapter must be used in order to cover the ends of the roofing panels.



Tile Filtervent/Tile Roof Construction Application



For roofs with barrel tile and flat tile with a pitch over 3/12, Multi-Pitch Tile Filtervent with separate adapter must be used in order to cover the ends of the roofing tiles.