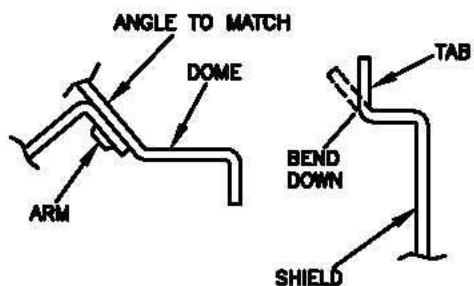
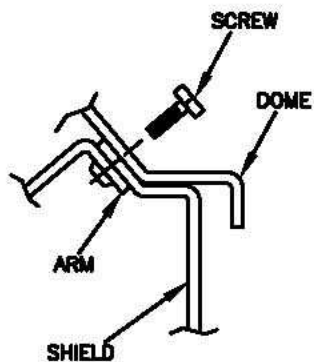


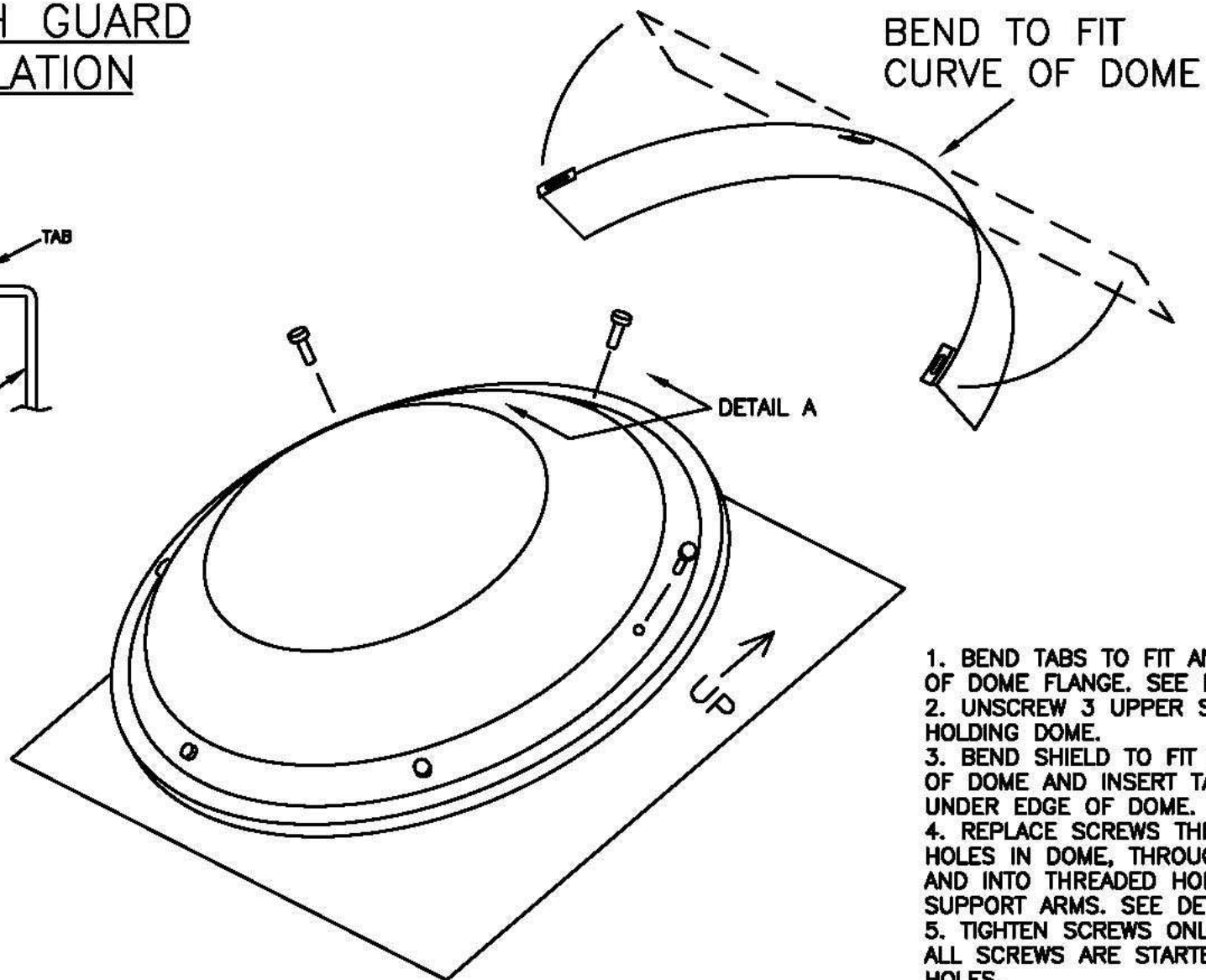
SPLASH GUARD INSTALLATION



DETAIL A



DETAIL B



1. BEND TABS TO FIT ANGLE OF DOME FLANGE. SEE DET. A.
2. UNSCREW 3 UPPER SCREWS HOLDING DOME.
3. BEND SHIELD TO FIT CURVE OF DOME AND INSERT TABS UNDER EDGE OF DOME.
4. REPLACE SCREWS THROUGH HOLES IN DOME, THROUGH TABS, AND INTO THREADED HOLES IN SUPPORT ARMS. SEE DET. B.
5. TIGHTEN SCREWS ONLY AFTER ALL SCREWS ARE STARTED IN HOLES.